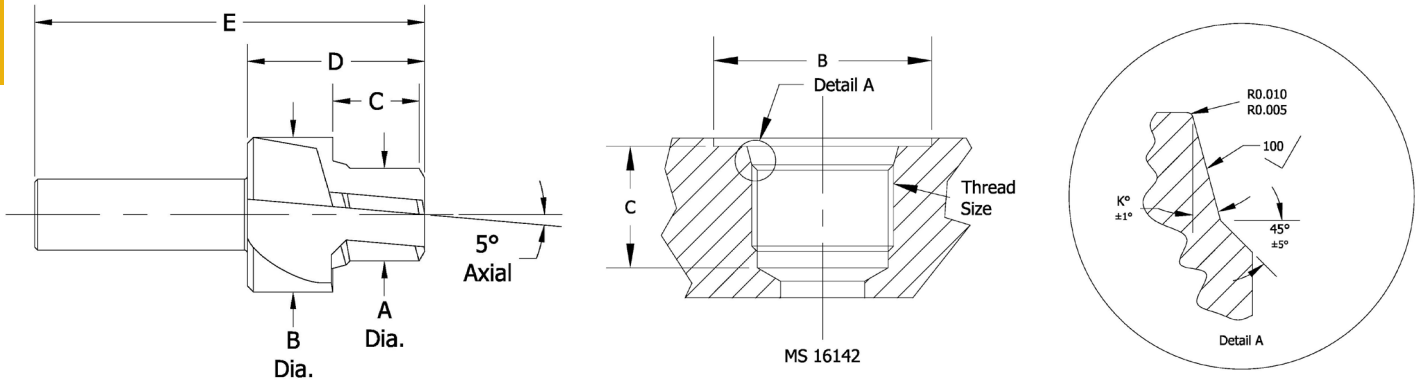




SPECIAL PORT CONTOUR TOOLS CARBIDE TIPPED

REQUIRED INFORMATION FOR QUOTING AND ORDERING
FAX TO 573-221-1140 or E-MAIL TO sales@hannibalcarbide.com

TECHNICAL



A=Reamer Dia. B=Spotface Dia. C=Reamer Length D=Head Length E=OAL K=Sealing Seat Angle

QUOTE REQUEST FORM:

INDIVIDUAL: _____

COMPANY: _____

CITY/STATE: _____

FAX #: _____ **PHONE #:** _____

QUANTITY BREAKS: _____ pcs _____ pcs _____ pcs _____ pcs

Chip class of MATERIAL BEING MACHINED (from page 6-8)

20 40 60 80 100 120 140 Other Material _____

TYPE OF TOOL:

- A.N.D. 10050 Integral Reamer Pilot Series
- ISO 6149-1 Metric Port without I.D. Groove
- Metric Port Reamer Pilot Series
- MS33649 Integral Reamer Pilot Series
- S.A.E. Ports - MS16142 - J514F - J1926

SHANK STYLE _____

SHANK LENGTH _____

THREAD SIZE _____

COOLANT FED YES or NO

A = _____ REAMER DIAMETER

D = _____ HEAD LENGTH

B = _____ SPOTFACE DIAMETER

E = _____ OVERALL LENGTH

C = _____ REAMER LENGTH

K = _____ SEALING SEAT ANGLE

ADDITIONAL APPLICATION NOTES: _____

Special order tool quotes usually same day; always next. Over 96% of Special tool orders shipped on promise date.